

**工程用** For production process

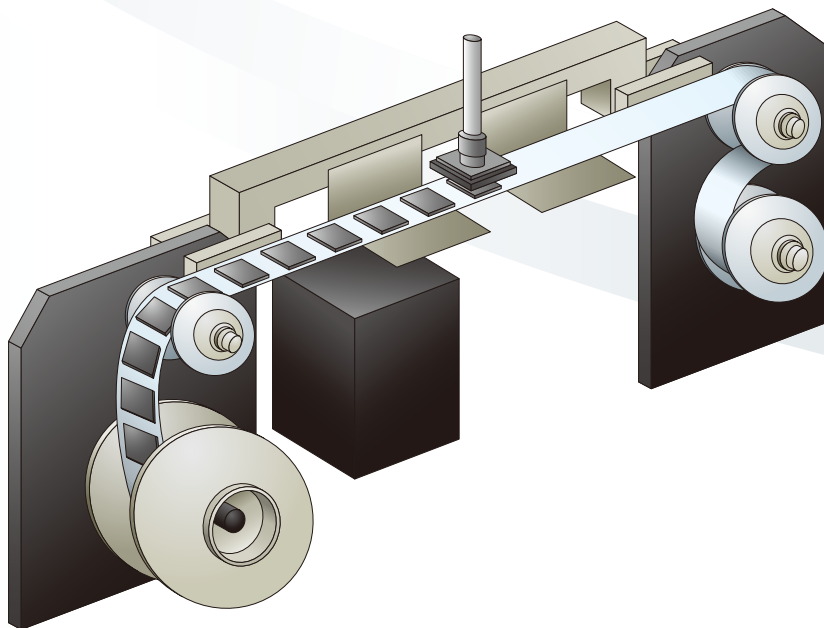
# 部品製造工程用粘着テープ

Adhesive tape for production process of components

TERAOKAの部品製造工程用粘着テープで部品生産がスムーズになります  
粘着力、フィルムの厚みを各種そろえております  
使用温度範囲の広いシリコンゴム系、汚染性の少ないアクリル系があります

TERAOKA adhesive tapes for production process make production much smoother.  
Available in wide range of adhesions and thicknesses.

Silicone based adhesive which can be used in wide temperature range, and Acrylic based adhesive which has less residue are also available.



## FPC、電子部品製造工程用

For production process of FPC and electrical components

**片面タイプ (PETフィルム支持体)** Single coated adhesive type (Pet film backing)

**アクリル系粘着剤** Acrylic based adhesive

No.6012 No.6011 No.6010 No.6093 (セパ付) with release liner  
No. 603 No.605 No.602 No.6045 (セパ無し) without release liner

部品をテープの糊面に貼り付けながら工程に供します。

熱を掛けても糊が残りにくい設計です。

Placing component parts on the adhesive side of the tape to go into the production process.  
Designed to leave less adhesive residue even after heating process.

**両面タイプ (PETフィルム支持体)** Double coated adhesive type (Pet film backing)

**シリコンゴム / アクリル系粘着剤** Silicone rubber / Acrylic based adhesive

No.9020 No.9022 No.9013

**シリコンゴム / シリコンゴム** Silicone rubber / Silicone rubber

No.9030W

**アクリル系粘着剤 (弱粘着力) / アクリル系粘着剤 (強粘着力)** Acrylic based adhesive (low adhesion) / Acrylic based adhesive (strong adhesion)

No.7692

両面タイプは既存のラインに応用することが可能です。吸着、滑り止め、粘着タイプなど、多くの種類を品揃えております。

Double coated adhesive type can be applied into existing production process. Various types of tape, such as adsorption, anti-slipping, adhesive etc, are available.



株式会社 寺岡製作所